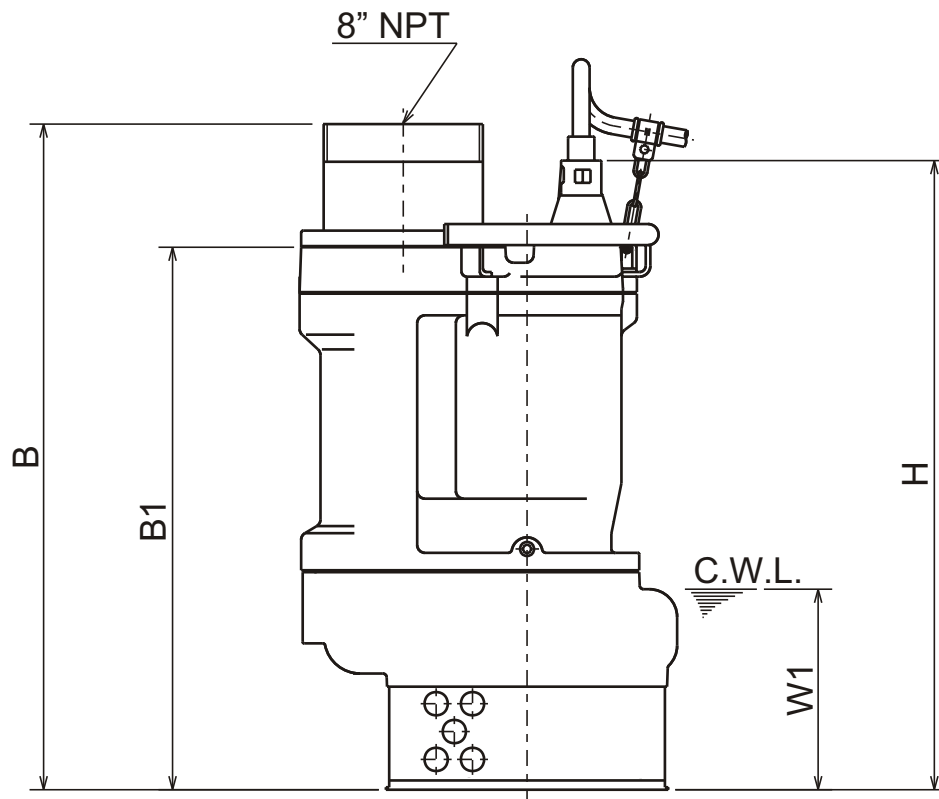
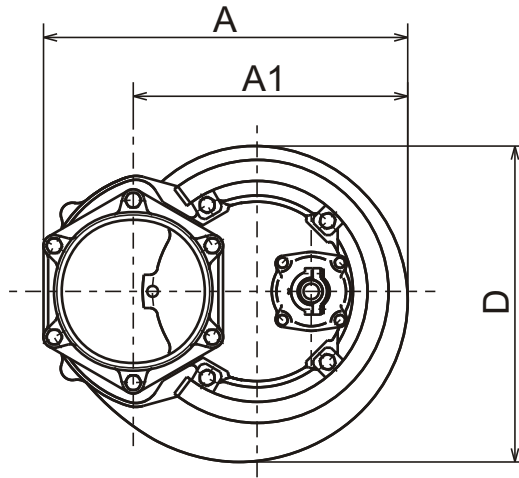




KRS - SERIES
HIGH VOLUME - DEWATERING PUMPS

DIMENSIONS

KRS2-8S



C.W.L. : Continuous running Water Level

DIMENSIONS:USCS (Inch)

Model	HP	NOM. SIZE	Pump & Motor						C.W.L.	Wt. (lbs.)
			A	A1	B	B1	D	H	W1	
KRS2-8S	15	8"	18 9/16	14	33 3/8	27 5/8	15 7/8	32 1/16	11 3/4	383

DIMENSIONS:METRIC (mm)

Model	kW	NOM. SIZE	Pump & Motor						C.W.L.	Wt. (kg)
			A	A1	B	B1	D	H	W1	
KRS2-8S	11	200	472	356	848	701	403	814	300	174